

TECHNICAL DATA

VOLTAGES:

100V-240V AC, 50/60Hz

Power Factor:

PF \geq 0.90

POWER CONSUMPTION:

150W@220V

LED:

Power consumption	150W
Quantity	1pc
Manufacturers Rated LED Life	50000 Hours

COLOUR TEMPERATURE:

Linear Adjustment between 2700K and 10000K

Luminous Flux:

PR-8935(19°): 1920 lm

PR-8936(26°): 2500 lm

PR-8937(5°): 1300 lm

PR-8938(10°): 1850 lm

DIMMER:

0-100% linearly adjustable

BEAM ANGLE:

19°/26°/5°/10°

CONTROL:

DMX512, 5 pin interfaces

HOUSING:

High-intensity aluminum alloy, IP20

WORK ENVIRONMENT TEMPERATURE:

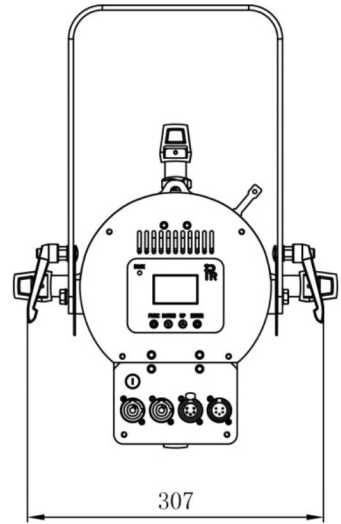
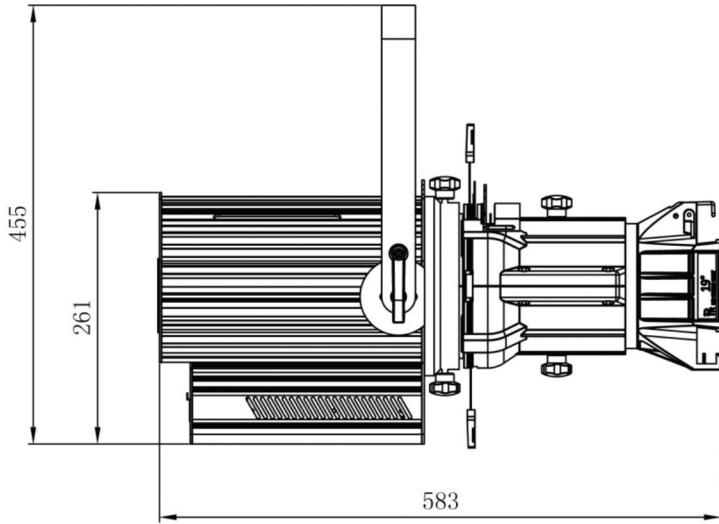
-20°C~40°C

WEIGHT:

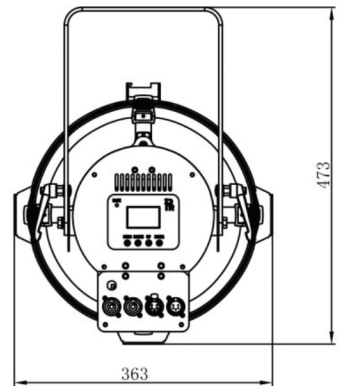
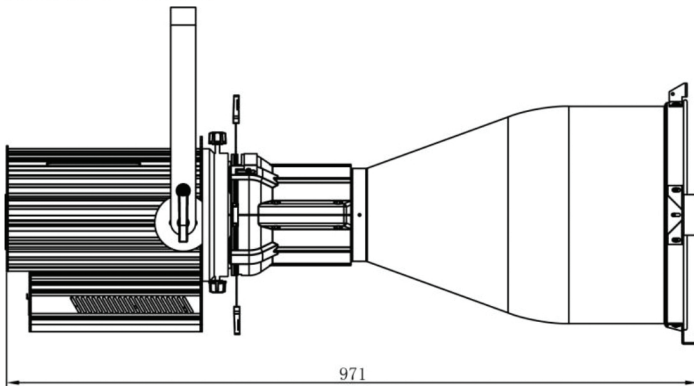
12KG

SIZE

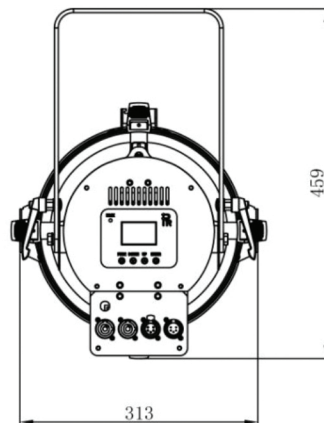
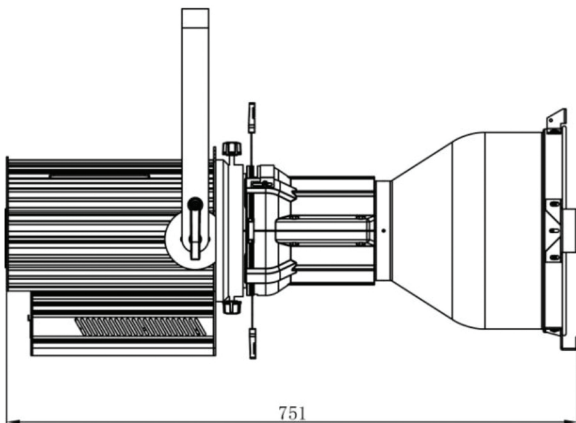
SIZES for PR-8935/PR-8936 :



SIZE for PR-8937



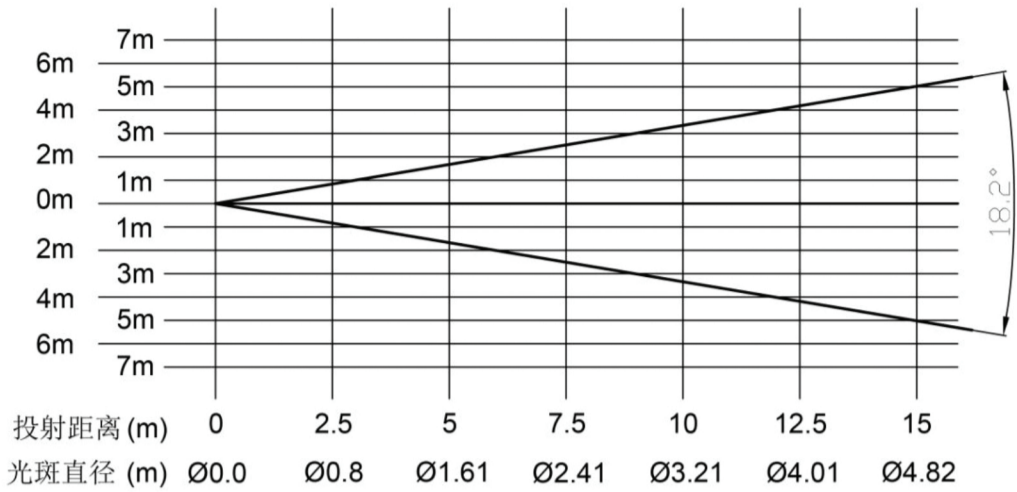
SIZE for PR-8938



LIGHT OUTPUT

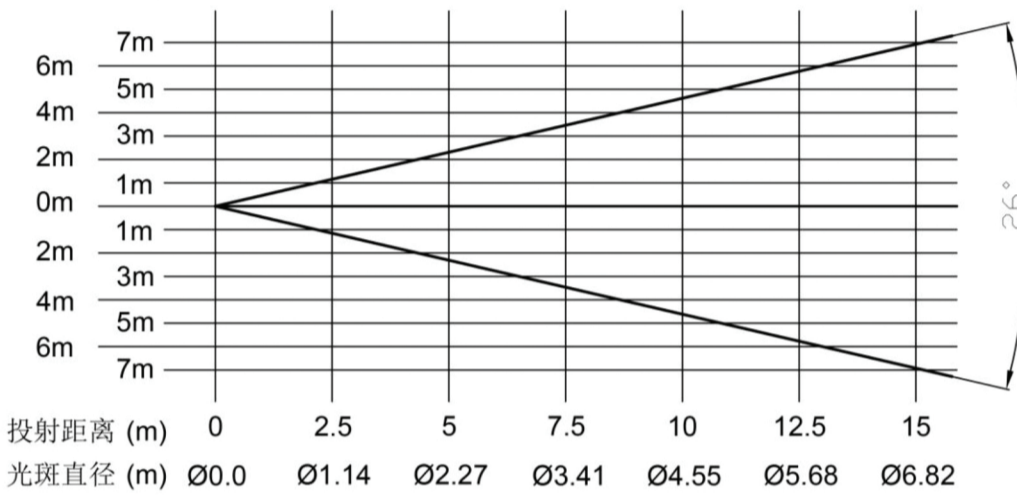
Light Output for PR-8935 (19°)

RGBW全亮(lux) 0 3678 920 409 230 147 102



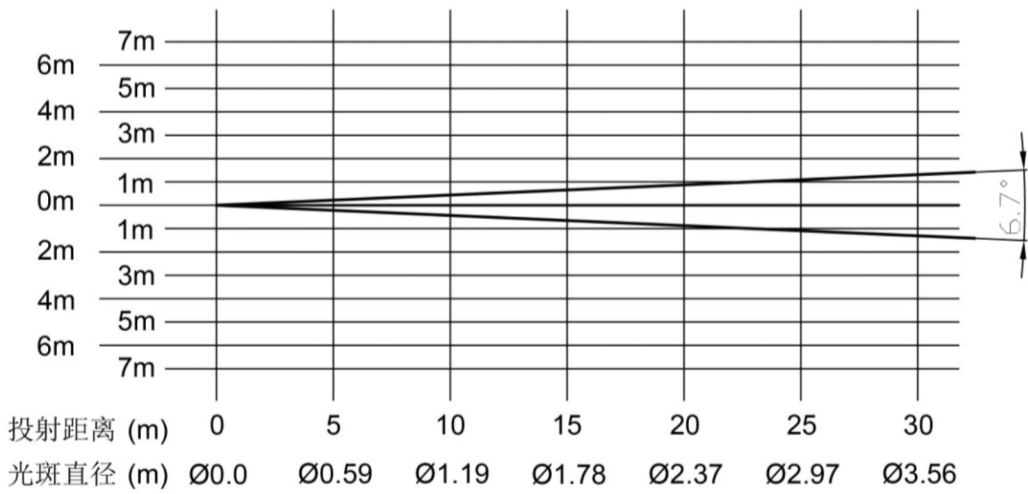
Light Output for PR-8936(26°)

RGBW全亮(lux) 0 3502 875 389 219 140 97



Light Output for PR-8937(5°)

RGBW全亮(lux) 0 4525 1131 502 283 181 126



Light Output for PR-8938(10°)

RGBW全亮(lux) 0 2451 613 272 153 98 68

